



PRO

GKO18V-51

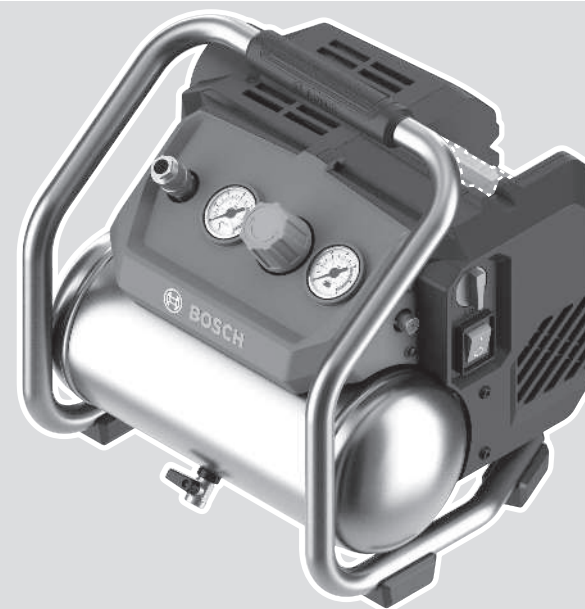
Robert Bosch Power Tools GmbH
70538 Stuttgart
GERMANY

www.bosch-pt.com

1 609 92A E4J (2025.11) T / 13



1 609 92A E4J

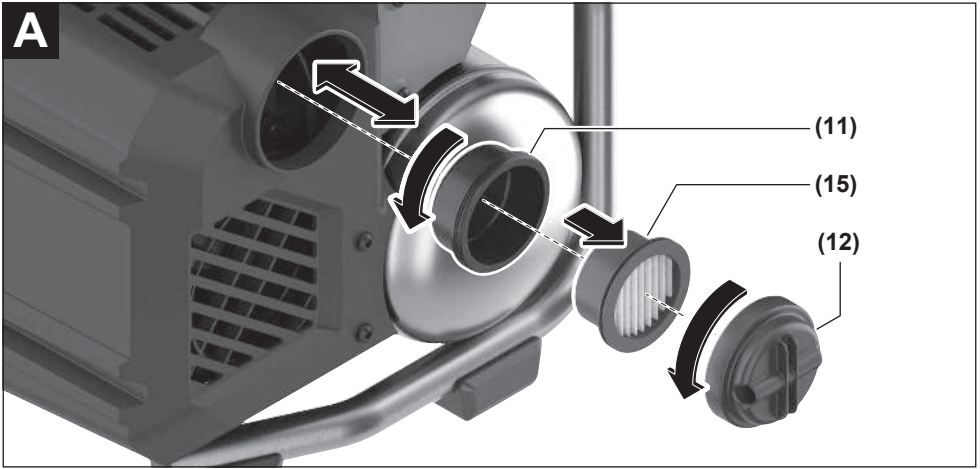


en Original instructions









English

Safety Instructions

General Power Tool Safety Warnings

⚠ WARNING Read all safety warnings, instructions, illustrations and specifications provided with this power tool. Failure to follow all instructions listed below may result in electric shock, fire and/or serious injury.

Save all warnings and instructions for future reference.

The term "power tool" in the warnings refers to your mains-operated (corded) power tool or battery-operated (cordless) power tool.

Work area safety

- ▶ **Keep work area clean and well lit.** Cluttered or dark areas invite accidents.
- ▶ **Do not operate power tools in explosive atmospheres, such as in the presence of flammable liquids, gases or dust.** Power tools create sparks which may ignite the dust or fumes.
- ▶ **Keep children and bystanders away while operating a power tool.** Distractions can cause you to lose control.

Electrical safety

- ▶ **Do not expose power tools to rain or wet conditions.** Water entering a power tool will increase the risk of electric shock.

Personal safety

- ▶ **Stay alert, watch what you are doing and use common sense when operating a power tool. Do not use a power tool while you are tired or under the influence of drugs, alcohol or medication.** A moment of inattention while operating power tools may result in serious personal injury.
- ▶ **Use personal protective equipment. Always wear eye protection.** Protective equipment such as a dust mask, non-skid safety shoes, hard hat or hearing protection used for appropriate conditions will reduce personal injuries.
- ▶ **Prevent unintentional starting. Ensure the switch is in the off-position before connecting to power source and/or battery pack, picking up or carrying the tool.** Carrying power tools with your finger on the switch or engaging power tools that have the switch on invites accidents.
- ▶ **Remove any adjusting key or wrench before turning the power tool on.** A wrench or a key left attached to a rotating part of the power tool may result in personal injury.
- ▶ **Do not overreach. Keep proper footing and balance at all times.** This enables better control of the power tool in unexpected situations.

- ▶ **Dress properly. Do not wear loose clothing or jewellery. Keep your hair and clothing away from moving parts.** Loose clothes, jewellery or long hair can be caught in moving parts.
- ▶ **If devices are provided for the connection of dust extraction and collection facilities, ensure these are connected and properly used.** Use of dust collection can reduce dust-related hazards.
- ▶ **Do not let familiarity gained from frequent use of tools allow you to become complacent and ignore tool safety principles.** A careless action can cause severe injury within a fraction of a second.

Power tool use and care

- ▶ **Do not force the power tool. Use the correct power tool for your application.** The correct power tool will do the job better and safer at the rate for which it was designed.
- ▶ **Do not use the power tool if the switch does not turn it on and off.** Any power tool that cannot be controlled with the switch is dangerous and must be repaired.
- ▶ **Disconnect the plug from the power source and/or remove the battery pack, if detachable, from the power tool before making any adjustments, changing accessories, or storing power tools.** Such preventive safety measures reduce the risk of starting the power tool accidentally.
- ▶ **Store idle power tools out of the reach of children and do not allow persons unfamiliar with the power tool or these instructions to operate the power tool.** Power tools are dangerous in the hands of untrained users.
- ▶ **Maintain power tools and accessories. Check for misalignment or binding of moving parts, breakage of parts and any other condition that may affect the power tool's operation. If damaged, have the power tool repaired before use.** Many accidents are caused by poorly maintained power tools.
- ▶ **Keep cutting tools sharp and clean.** Properly maintained cutting tools with sharp cutting edges are less likely to bind and are easier to control.
- ▶ **Use the power tool, accessories and tool bits etc. in accordance with these instructions, taking into account the working conditions and the work to be performed.** Use of the power tool for operations different from those intended could result in a hazardous situation.
- ▶ **Keep handles and grasping surfaces dry, clean and free from oil and grease.** Slippery handles and grasping surfaces do not allow for safe handling and control of the tool in unexpected situations.

Battery tool use and care

- ▶ **Recharge only with the charger specified by the manufacturer.** A charger that is suitable for one type of battery pack may create a risk of fire when used with another battery pack.

- ▶ **Use power tools only with specifically designated battery packs.** Use of any other battery packs may create a risk of injury and fire.
- ▶ **When battery pack is not in use, keep it away from other metal objects, like paper clips, coins, keys, nails, screws or other small metal objects, that can make a connection from one terminal to another.** Shorting the battery terminals together may cause burns or a fire.
- ▶ **Under abusive conditions, liquid may be ejected from the battery; avoid contact. If contact accidentally occurs, flush with water. If liquid contacts eyes, additionally seek medical help.** Liquid ejected from the battery may cause irritation or burns.
- ▶ **Do not use a battery pack or tool that is damaged or modified.** Damaged or modified batteries may exhibit unpredictable behaviour resulting in fire, explosion or risk of injury.
- ▶ **Do not expose a battery pack or tool to fire or excessive temperature.** Exposure to fire or temperature above 130 °C may cause explosion.
- ▶ **Follow all charging instructions and do not charge the battery pack or tool outside the temperature range specified in the instructions.** Charging improperly or at temperatures outside the specified range may damage the battery and increase the risk of fire.

Service

- ▶ **Have your power tool serviced by a qualified repair person using only identical replacement parts.** This will ensure that the safety of the power tool is maintained.
- ▶ **Never service damaged battery packs.** Service of battery packs should only be performed by the manufacturer or authorized service providers.

Safety Instructions for Compressors



Wear hearing protection. Exposure to noise can cause hearing loss.



Do not use the compressor in rainy or wet conditions. If water enters the compressor, this may lead to a short circuit/electric shock.



The surface of the compressor may become hot during use. Leave the compressor to cool down before touching it.



The compressor may start automatically without warning as soon as the pressure falls below the minimum level. Before carrying out maintenance work, remove the battery

in order to prevent injuries.

- ▶ **Securely hold the end of the air hose when removing the quick coupling. The air hose under the tank is pressurised.** This prevents the air hose from flailing around in an uncontrolled manner and causing injuries.

- ▶ **Secure feed hoses with a working pressure above 7 bar additionally with a safety cable or wire rope.** This prevents the hose from accidentally disconnecting from the coupling, thereby avoiding injury to persons or other damage.
- ▶ **Ensure safe transport of the compressor.** If the compressor falls down, this may cause damage to the housing. This means that electrical safety is no longer guaranteed.
- ▶ **Do not extract explosive, flammable or hazardous substances. Do not operate the compressor in areas subject to explosion hazards.** The substances may ignite or explode.
- ▶ **Where possible, do not use the compressor in dusty environments. If a dusty environment cannot be avoided, wear a dust mask.** This enables you to protect yourself and your health.
- ▶ **Do not direct the compressed air at other persons or animals.** This will allow you to avoid injury.
- ▶ **Do not modify, alter or tamper with the tank.** The tank is under high pressure and you are compromising its integrity, which could result in explosions or serious injury.
- ▶ **Regularly release any condensation that has formed from the pressure tank.** This allows you to prevent the pressure tank from rusting and microbial pathogens from forming that may be hazardous to health.
- ▶ **Do not transport or store the compressor while the pressure tank is still under pressure.** Otherwise, compressed air may escape unintentionally, which could result in injury or damage.
- ▶ **In case of damage and improper use of the battery, vapours may be emitted. The battery can set alight or explode.** Ensure the area is well ventilated and seek medical attention should you experience any adverse effects. The vapours may irritate the respiratory system.
- ▶ **Do not modify or open the battery.** There is a risk of short-circuiting.
- ▶ **The battery can be damaged by pointed objects such as nails or screwdrivers or by force applied externally.** An internal short circuit may occur, causing the battery to burn, smoke, explode or overheat.
- ▶ **Only use the battery in the manufacturer's products.** This is the only way in which you can protect the battery against dangerous overload.



Protect the rechargeable battery against heat, e.g. including prolonged sun exposure, fire, water, and moisture. There is a risk of explosion and short circuit.

Product Description and Specifications



Read all the safety and general instructions.

Failure to observe the safety and general instructions may result in electric shock, fire and/or serious injury.

Please observe the illustrations at the beginning of this operating manual.

Intended Use

The compressor generates compressed air which is intended for inflating car, motorbike and bicycle tyres, for cleaning with compressed air (with suitable accessories, such as an air-blow gun) and for powering small pneumatic tools.

Only hoses, compressed-air accessories and compressed-air tools suitable for the performance data of the compressor may be connected.

Product Features

The numbering of the product features refers to the diagram of the compressor on the graphics page.

- (1) Working pressure gauge
- (2) Working pressure regulator knob
- (3) Tank pressure gauge
- (4) Tank pre-selection switch
- (5) Safety valve
- (6) On/off switch
- (7) Tank drain valve
- (8) Tank
- (9) Quick-connect coupler
- (10) Carrying handle
- (11) Air filter
- (12) Air filter cover with air inlet
- (13) Rechargeable battery^{a)}
- (14) Battery release button^{a)}
- (15) Filter element

a) **This accessory is not part of the standard scope of delivery.**

Technical Data

Compressor		GKO18V-51
Article number		3 601 D92 0..
Rated voltage	V=	18
No-load speed	min ⁻¹	3300
Tank pressure pre-selection settings		
– reduced	bar	4
– maximum	bar	8
Tank volume	l	4.5
Flow rate (at 6 bar tank pressure) ^{A)}	l/min	51

Compressor		GKO18V-51
Pressure ratio (final pressure : suction pressure)		8 : 1
Max. inclination during set-up	°	10
Weight ^{B)}	kg	9.5
Dimensions (length × width × height)	mm	345 × 319 × 349
Recommended ambient temperature during charging	°C	0 to +35
Permitted ambient temperature during operation	°C	+5 to +40
Permitted ambient temperature during storage	°C	+5 to +50
Compatible rechargeable batteries		GBA18V... GBA 18V... ProCORE18V... EXPERT18V... EXBA18V... CORE18V...
Recommended rechargeable batteries for maximum performance		ProCORE18V... ≥ 4.0 Ah EXPERT18V...
Recommended battery chargers		GAL18... GAL 18... GAL 36... GAL12V/18... GAL 12V/18... GAX 18... EXAL18...

A) Measured in accordance with ISO 1217

B) Without rechargeable battery (you can find the battery weight at www.bosch-professional.com)

Values can vary depending on the product, scope of application and environmental conditions. To find out more, visit www.bosch-professional.com/wac.

Noise Information

Noise emission values determined according to **EN ISO 2151:2008**.



Typically, the A-weighted noise level of the compressor is: Sound pressure level **73.2** dB(A); sound power level **85** dB(A). Uncertainty K = **1.8** dB.

Wear hearing protection!

The noise emission value given in these instructions has been measured in accordance with a standardised measuring procedure and may be used to compare power tools. It may also be used for a preliminary estimation of noise emissions.

The noise emission value given represents the main applications of the power tool. However, if the power tool is used for other applications, with different application tools or is poorly maintained, the noise emission value may differ. This may significantly increase noise emissions over the total working period.

To estimate noise emissions accurately, the times when the tool is switched off, or when it is running but not actually being used, should also be taken into account. This may significantly reduce noise emissions over the total working period.

Rechargeable battery

Bosch also sells some compressors without a rechargeable battery. You can tell whether a rechargeable battery is part of the items included with the compressor by looking at the packaging.

Charging the battery

► **Use only the chargers listed in the technical data.** Only these chargers are matched to the lithium-ion battery of your compressor.

Note: Lithium-ion rechargeable batteries are supplied partially charged according to international transport regulations. To ensure full rechargeable battery capacity, fully charge the rechargeable battery before using your tool for the first time.

Inserting the Battery

Push the charged battery into the battery holder until it clicks into place.

Removing the Battery



To remove the rechargeable battery, press the battery release button and pull the battery out. **Do not use force to do this.**

The rechargeable battery has two locking levels to prevent the battery from falling out if the battery release button is pressed unintentionally. The rechargeable battery is held in place by a spring when fitted in the compressor.

Battery charge indicator

Note: Not all battery types have a battery charge indicator.

The green LEDs on the battery charge indicator show the state of charge of the battery. For safety reasons, it is only possible to check the state of charge when the compressor is not in operation.

Press the button for the battery charge indicator  or  to show the state of charge. This is also possible when the rechargeable battery is removed.

If no LED lights up after pressing the button for the battery charge indicator, then the battery is defective and must be replaced.

Rechargeable battery type GBA 18V... | GBA18V...



LED	Capacity
3 × continuous green light	60–100 %
2 × continuous green light	30–60 %
1 × continuous green light	5–30 %

LED	Capacity
1 × flashing green light	0–5 %

Battery model ProCORE18V... | EXPERT18V... | EXBA18V... | CORE18V...





LED	Capacity
5 × continuous green light	80–100 %
4 × continuous green light	60–80 %
3 × continuous green light	40–60 %
2 × continuous green light	20–40 %
1 × continuous green light	5–20 %
1 × flashing green light	0–5 %


Battery defect risk detection

EXPERT18V... | EXBA18V...

In addition to the state of charge of the rechargeable battery, the LEDs on the battery charge indicator can also indicate the risk of a battery defect.

To activate the function, press and hold the button for the battery charge indicator  for 3 seconds. The analysis of the battery is signalled by a moving light on the battery charge indicator. The result of is shown on the battery charge indicator.

 **1 LED:** The rechargeable battery has a high defect risk. Performance and runtime may already be reduced. Replacing the rechargeable battery is recommended.

 **5 LEDs:** The rechargeable battery is in good condition and has a low defect risk.

Please note: The rechargeable battery defect risk assessment works in a binary manner and offers a simplified status assessment, indicating either that the rechargeable battery is in good condition or that the rechargeable battery has an increased defect risk. A percentage of the battery status is not shown.

Recommendations for Optimal Handling of the Battery

Protect the battery against moisture and water.

Only store the battery within a temperature range of –20 to 50 °C. Do not leave the battery in your car in the summer, for example.

Occasionally clean the ventilation slots on the battery using a soft brush that is clean and dry.

A significantly reduced operating time after charging indicates that the battery has deteriorated and must be replaced. Follow the instructions on correct disposal.

Assembly

- ▶ **Before carrying out any work on the compressor (e.g. maintenance, cleaning, etc.), remove the battery from the compressor.** There is risk of injury from unintentionally pressing the on/off switch.

Fitting/Removing the Hose

Use a commercially available compressed-air hose. Check the compressed-air hose and its connections for damage before use.

Insert the compressed-air hose into the quick coupling of the hose connection (9) so that it clicks into place.

Only connect compressed-air tools or compressed-air accessories to the compressed-air hose that are suitable for the pressure and flow rate of the compressor.

- ▶ **Allow the compressor and compressed-air hose to cool down before removing the compressed-air hose.**

The compressor and compressed-air hose can become hot when used for prolonged periods of time.

- ▶ **Hold the end of the hose firmly when removing the compressed-air hose.** A pressurised hose can flail around uncontrollably.

Before removing the compressed-air hose, turn the working pressure regulator knob (2) anticlockwise as far as it will go.

To remove it, pull back the sleeve of the hose connection (9) and pull the compressed-air hose out of the hose connection.

Operation

- ▶ **Make sure that the compressor is not exposed to frost. Only operate and store the compressor in frost-free areas.** Frost can damage the compressor.

Starting Operation

Setting up the Compressor

Set up the compressor on firm, level, horizontal and clean ground so that it cannot fall.

The compressor must be well-ventilated. The air inlet on the air filter cover (12) and the ventilation slots, in particular, must be sufficiently far away from walls or other obstacles that could impair the air flow.

Setting the Tank Pressure

You can use the max. pressure selector (4) to choose between 2 settings for the maximum tank pressure:

- 8 bar
- 4 bar

The tank pressure must be higher than the required working pressure.

Working with reduced tank pressure reduces the filling time. This extends the battery life.

The tank pressure is indicated at all times on the tank pressure gauge (3).

Switching On and Off

- ▶ **Check the safety valve before switching on the compressor.** Do not use the compressor if the safety valve (5) is damaged.

Make sure that the drain valve (7) is closed.

To **switch on** the compressor, push the on/off switch (6) to position I.

Only start working with the connected compressed-air tool/accessories once a sufficiently high pressure is indicated on the pressure gauge (3).

The compressor motor switches off automatically when the set maximum tank pressure is reached.

The compressor motor switches on automatically when the tank pressure drops.

To **switch off** the compressor, push the on/off switch (6) to position 0.

Regulating the Working Pressure

Set the working pressure to suit the relevant application.

When operating compressed-air tools and compressed-air accessories, the compressor working pressure must not be higher than the maximum operating pressure of the connected tools or accessories.

Turn the working pressure regulator knob (2) clockwise to increase the working pressure.

Turn the working pressure regulator knob (2) anticlockwise to reduce the working pressure.

The working pressure is indicated at all times on the working pressure gauge (1).

Temperature-dependent overload protection

When used as intended, the compressor cannot be overloaded. If the compressor is overloaded or the permitted battery temperature is exceeded, the electronics of the compressor will switch off until the temperature is within the optimum operating temperature range again.

Working Advice

Check the tyre pressure regularly when inflating tyres to prevent tyres from bursting.

After Finishing Work

- ▶ **Allow the compressor to cool down before carrying out any work on the compressor.** The compressor may become hot when used for extended periods of time.

Switch off the compressor after finishing work using the on/off switch (6). Empty the pressure tank, e.g. using a connected blow-out gun or when draining the condensate.

Drain the accumulated condensate from the pressure tank after finishing work:

- Slowly open the drain valve (7).

The condensate may be contaminated and escape under pressure. Keep all body parts away from the drain valve and wear safety goggles.

- Tilt the compressor slightly so that the accumulated water can drain completely through the drain valve.

Observe the applicable regulations for disposing of contaminated water.

- After draining, close the drain valve (7) again.
- ▶ **If the condensate is not drained after every working day, the pressure tank can be damaged by corrosion and burst.** A bursting pressure tank (8) can lead to injuries and damage.

Rectifying Errors

Cause	Corrective action
The compressor cannot be switched on or switches off automatically (despite low tank pressure).	
The battery is empty or damaged.	Charge or replace the battery.
The compressor or battery are overheated.	Allow the compressor and battery to cool down for at least 10 minutes before switching the compressor on again. Ensure that all ventilation slots of the compressor are unobstructed and that the compressor is well ventilated.
A sufficient tank pressure cannot be reached or the tank pressure drops after the motor is switched off without compressed air being used.	
The battery is too weak.	Only use batteries with at least 4 Ah battery capacity.
The drain valve (7) is not closed properly.	Close the drain valve completely.
The compressed-air hose is not connected correctly or is defective.	Check the compressed-air hose and its connections and replace the compressed-air hose if necessary.
The compressor does not switch off automatically.	
The air filter (11) is clogged or damaged.	Clean or replace the air filter.
The drain valve (7) is not closed properly.	Close the drain valve completely.
The compressed air consumption is too high.	The compressor is not suitable for the connected compressed-air tool.
The compressed-air hose is not connected correctly or is defective.	Check the compressed-air hose and its connections and replace the compressed-air hose if necessary.
The compressed air is too humid.	
There is too much condensate in the pressure tank.	Switch off the compressor and drain the condensate via the drain valve (7).
The humidity is too high.	Set up the compressor in an area with lower humidity.

Have the compressor checked by a **Bosch** after-sales service centre in the following cases:

- If the measures listed above do not help,
- If the compressor produces unusual noises or vibrations,
- If the maximum permitted pressure of the tank has been exceeded and the safety valve (5) is triggered,
- If there is damage or rust on the compressor, especially on the tank (8).

Do not attempt to repair the pressure tank (8) yourself.

Maintenance and Service

Maintenance and Cleaning

- ▶ **Before carrying out any work on the compressor (e.g. maintenance, cleaning, etc.), remove the battery from the compressor.** There is risk of injury from unintentionally pressing the on/off switch.
- ▶ **To ensure safe and efficient operation, always keep the compressor and the ventilation slots clean.**

Transporting the Compressor

Before transporting it, switch the compressor off using the on/off switch (6) and empty the tank.

Only carry the compressor by the carrying handle (10). Do not pull the compressor by the compressed-air hose.

Store the compressor in a dry, clean room and secure it so that it cannot be used by unauthorised persons.

Cleaning the Air Filter (see figure A)

A dirty or damaged air filter can reduce the performance of the compressor. Therefore, check and clean the air filter regularly:

- Unscrew the air filter (11) from the compressor housing by turning it anticlockwise.
- Unscrew the cover (12) of the air filter from the air filter by turning it anticlockwise.
- Remove the filter element (15) from the air filter.
- Carefully clean the filter element, e.g. with a soft brush. If the filter element is damaged, it should be replaced.
- Insert the filter element (15) into the air filter (11).
- Firmly screw the cover (12) onto the air filter by turning it clockwise.
- Insert the air filter (11) into the compressor housing and screw it down by turning it clockwise.

Checking the safety valve

Check the safety valve **(5)** on the compressor at regular intervals.

To do this, turn the safety valve **(5)** anticlockwise until compressed air escapes. Then turn the safety valve clockwise to close it back up.

Make sure that the safety valve is clean and free of damage.

Do not use the compressor if the check does not produce any compressed air or if damage is visible on the safety valve **(5)**. Have the safety valve replaced by a **Bosch** after-sales service centre.

After-Sales Service and Application Service

Great Britain

Tel. Service: (0344) 7360109

GB Importer:

Robert Bosch Ltd.
Broadwater Park
North Orbital Road
Uxbridge
UB9 5HJ

In all correspondence and spare parts orders, please always include the 10-digit article number given on the nameplate of the product.

Disposal

Compressors, rechargeable batteries, accessories and packaging should be recycled in an environmentally friendly manner.



Do not dispose of compressors and (rechargeable) batteries in household waste!

The condensate drained from the pressure tank may be contaminated with oil. Dispose of this condensate in accordance with the applicable laws and regulations.

Only for EU countries and United Kingdom:

Electrical and electronic equipment or used batteries that are no longer suitable for use must be collected separately and disposed of in an environmentally friendly manner. Use the designated collection systems. Incorrect disposal may cause harmful effects on the environment and human health, due to the potential presence of hazardous substances.

Servicekontakte
Service Contacts
Contacts de Service
Contactos de Servicio



<https://www.bosch-pt.com/serviceaddresses>

Garantiebedingungen
Guarantee Conditions
Conditions de Garantie
Condiciones de Garantía



<https://www.bosch-pt.com/guarantee/202507>